

REELSTRONG®

UTILITY FLEET

PD POLE DINKY SPECS



EXCLUSIVE STANDARD ADDED VALUE:

- Industry Leading Safety, Ease of Use, Low Maintenance and Durability.
- Low Center of Gravity to Prevent Roll-Over.
- Three-Strap Pole Securement to Ensure Load Stays in Place Throughout Transportation.
- Deep V Cradles to Prevent Poles from Rolling, Shifting, or Sliding.
- Great Value

BUILT FOR SAFETY. BUILT FOR SPEED. BUILT TO LAST.

CAPACITIES

- PD3: 3,000 lbs. GVWR
- PD7: 8,050 lbs. GVWR @ 15% Tongue Weight
- PD10: 11,050 lbs. GVWR @ 15% Tongue Weight
- PD15: 17,250 lbs. GVWR @ 15% Tongue Weight

AXLES

- PD3: 3K lbs. Torsion
- PD7: 7K lbs. Torsion
- PD10: 10K lbs. Sprung
- PD15: 15K lbs. Sprung

WHEELS

- PD3: (2) 15 x 6JJ / 5 on 4.5 BC w/ Zeraset
- PD7: (2) 16 x 6K / 8 on 6.5 BC w/ Zeraset
- PD10: (2) 17.50 x 6.75 HC / 8 on 6.5 BC w/ 0.19 Inset
- PD15: (4) 17.5 x 6.75 HC / 8 on 275mm BC w/ 5.60 Outset

TIRES

- PD3: (2) ST-205/75R15 LR-C Tires
- PD7: (2) ST-235/85R16 LR-E Tires
- PD10: (2) ST-215/75R17.5 LR-H Tires
- PD15: (4) ST-215/75R17.5 LR-H Tires

BRAKES

- PD3: No Brakes
- PD7: 12.00" x 2.00" Electric w/ Safety Breakaway Kit
- PD10: 12.00" x 3.38" Electric w/ Safety Breakaway Kit
- PD15: 12.25" x 5.00" Electric w/ Safety Breakaway Kit

PAYLOAD: ALL FINAL PAYLOADS BASED ON CHOSEN MODEL AND OPTIONS

POLE WEIGHT (PAYLOAD)

- PD3: 1,750 lbs. Approx.
- PD7: 6,250 lbs. Approx.
- PD10: 9,200 lbs. Approx.
- PD15: 14,500 lbs. Approx.

OVERALL LENGTH

- PD3: 112.00"
- PD7: 112.00"
- PD10: 112.00"

OVERALL LENGTH (cont.)

- PD15: 111.25"

OVERALL WIDTH

- PD3: 79.25"
- PD7: 79.25"
- PD10: 79.25"
- PD15: 79.25"

CURB WEIGHT:

- PD3: 1,250 lbs. Approx.
- PD7: 1,800 lbs. Approx.
- PD10: 1,850 lbs. Approx.
- PD15: 2,750 lbs. Approx.

Actual Trailer Weight will Vary with Options & Finishes Chosen.

POLE SEAT HEIGHT

- PD3: 28.75"
- PD7: 29.25"
- PD10: 39"
- PD15: 40"

STANDARD FEATURES

- Oil Bath Hubs (Greaseable Option All)
- Wheel Chock Holders
- Electric Brakes (on PD7/PD10/PD15)
- Swing-Away Front Jack Stand
- Tongue Lift Handles
- Cradles: Deep V w/ Saw-Tooth Grip (PD3/PD7/PD10)

POLE SECUREMENT

- Binding: (3) 4" Strap Binders w/ 4" Ratchet Straps

STANDARD TRAILER BODY

- Heavy Duty 5" Channel Frame (PD3/PD7/PD10)
- Heavy Duty Rectangular Tube Frame (PD15)
- 1/8" Tread Plate Fenders
- 5 Position Adjustable Hitch
- 3/8" X 36" GR70 Yellow Zinc Safety Chains with Hooks
- Expanded Metal Cargo Area

WIRING

- DOT / ICC Approved LED Lights and Conspicuity Reflective Tape
- Internal Cat Track Protects Wiring (and air brakes if applicable)
- Removable Rear Access Door for Cat Track and Wiring
- Sealed Beam, Rubber Mounted Stop, Turn, Tail and Marker Lights
- 100% Sealed Heat-Shrunked Wiring Connections w/ Full Loom
- Breakaway Kit with Absorbed Glass Mat (AGM) Battery

PAINT

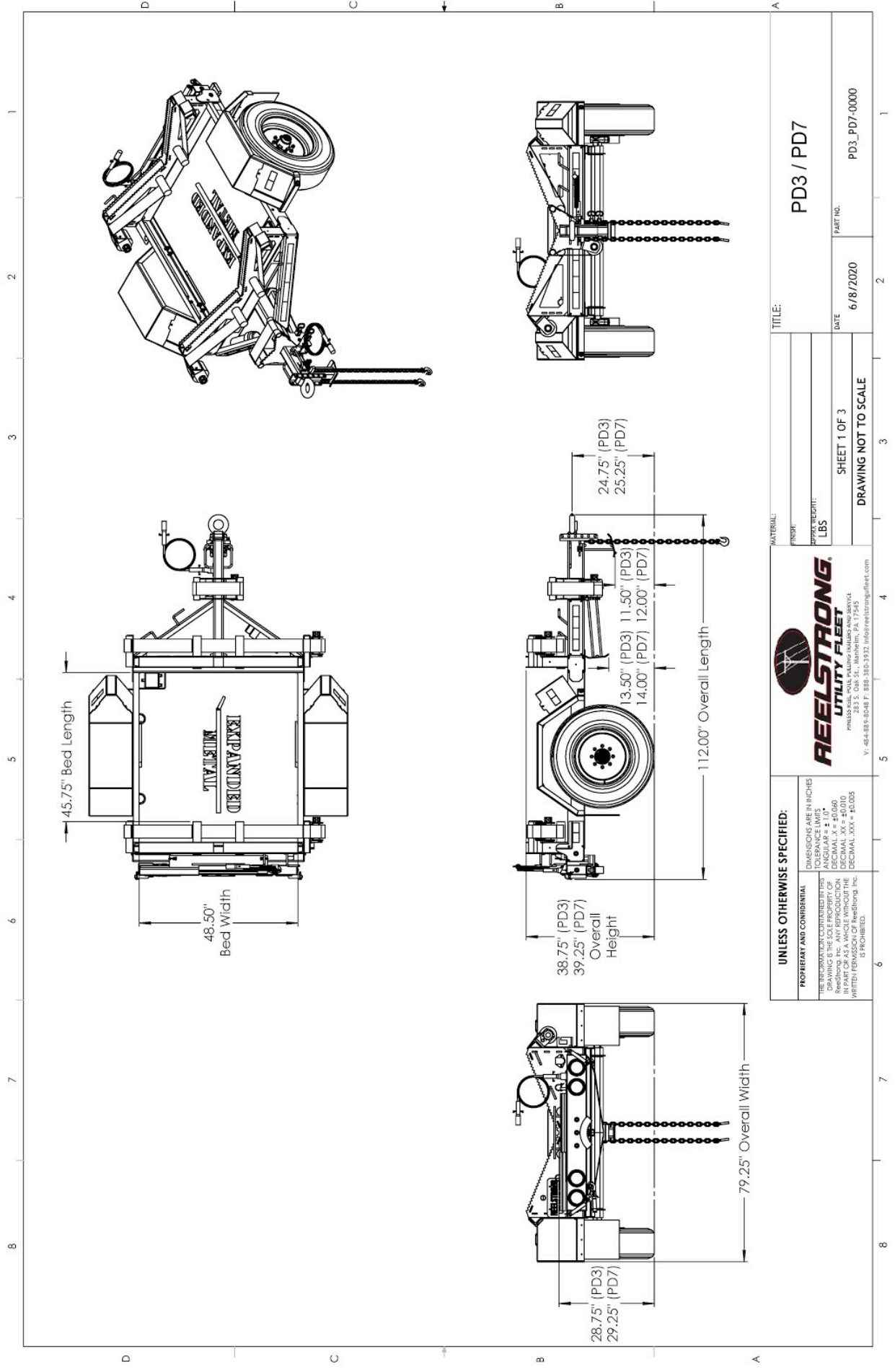
- Biodegradable Pretreat Acid Cleaning
(Superior to re-used sandblasting material that can impregnate metals with oil)
- Seams Caulked
- Rust Preventative 2-Part Epoxy Primer
- Standard Colors: Red, Black, White and CAT Yellow

LIGHT BAR

- All TIG Welded Aluminum
- Contains (4) Four 4" Stop/Turn / Tail Rubber Mounted Sealed Beam LED Lights
- (3) Three Center ID Marker Lights and (2) Two Side Marker Lights
- 7-Way Die Cast Connector
- 35' Standard Electric Cable Length with a 7-Way Connector Plug

OPTIONS

- 10-Year Galvanized Structural Warranty (2-Year Painted)
- Wiring Connections Soldered and Sealed w/ Heat Shrink Tubing
- Plug-and-Play Sealco Wiring Harness
- Wheel Chocks: Rubber or All Weather Galvanized Grip Strut
- Spare Tire and Mount
- Solar Charged Breakaway Kit
- Bolt-On Pole Muzzle
- Heavy-Duty Pole Muzzle
- Cradles: H-Beam w/ Non-Binding Stanchions
- Truck-Lite Lighting
- Lug Nut Indicators



TITLE: PD3 / PD7	
MATERIAL:	
FINISH:	
APPROX. WEIGHT:	LBS
DATE:	6/8/2020
PART NO.:	PD3_PD7-0000
SHEET 1 OF 3	
DRAWING NOT TO SCALE	

UNLESS OTHERWISE SPECIFIED:

PROPRIETARY AND CONFIDENTIAL

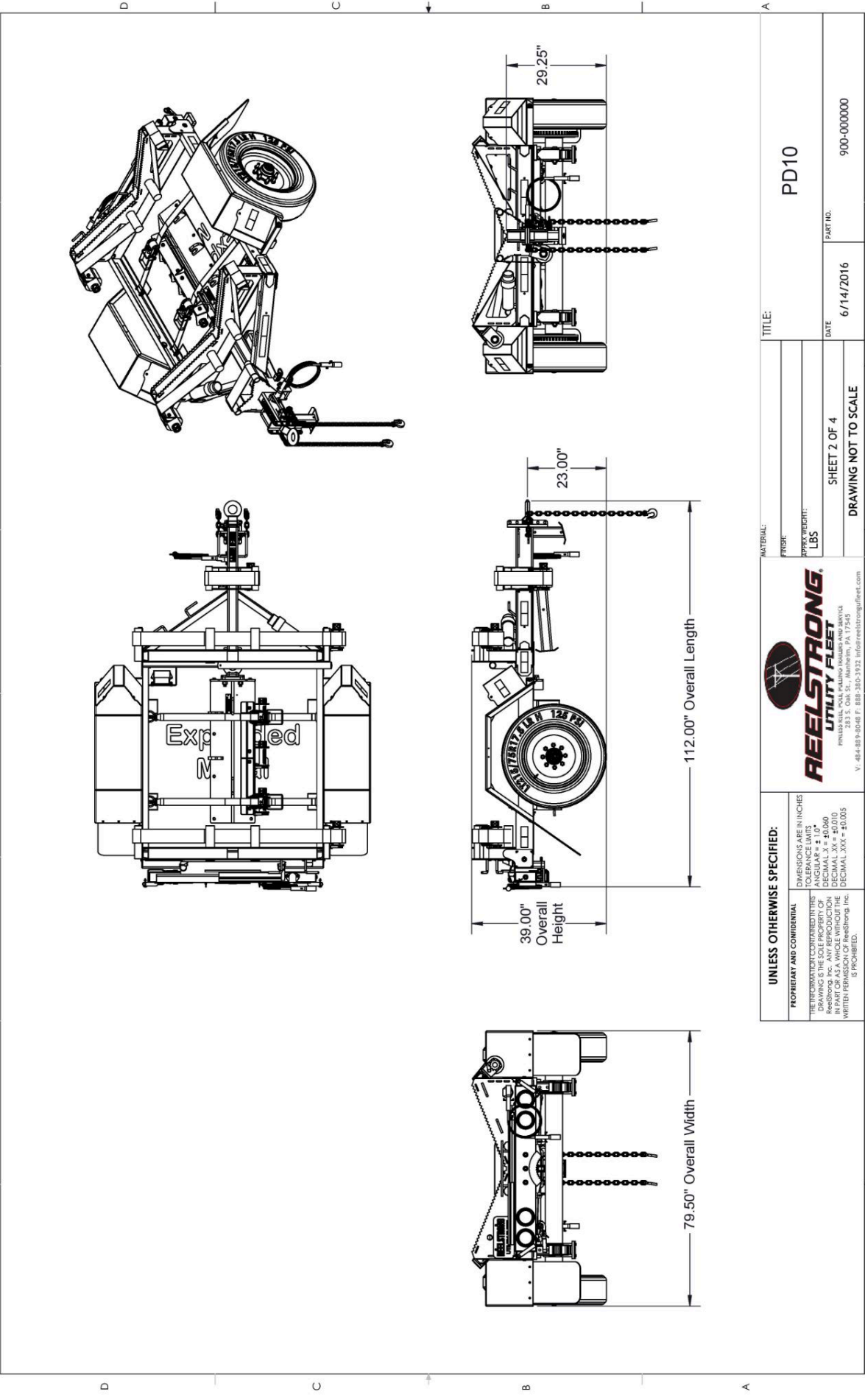
THE INFORMATION CONTAINED HEREIN IS THE SOLE PROPERTY OF REEELSTRONG, INC. ANY REPRODUCTION OR TRANSMISSION OF THIS DRAWING WITHOUT THE WRITTEN PERMISSION OF REEELSTRONG, INC. IS PROHIBITED.

TOLEANCE LIMITS
 ANGULAR = ± 1.0°
 DECIMAL = ± 0.005
 DECIMAL .XXX = ± 0.005

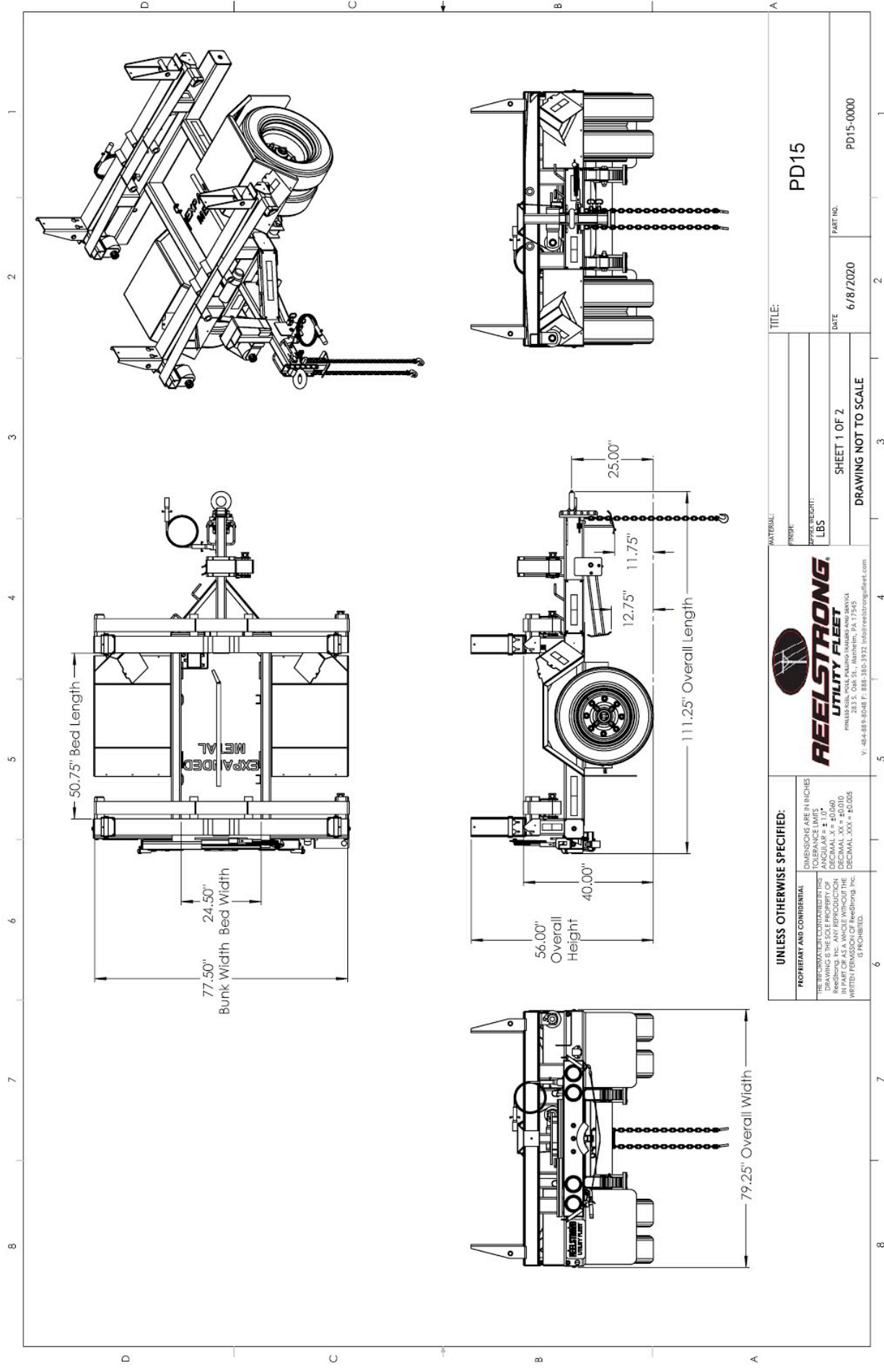
REEELSTRONG UTILITY FLEET

PH: 484-898-8048 F: 888-390-3933 info@reeelstrongfleet.com

1 2 3 4 5 6 7 8

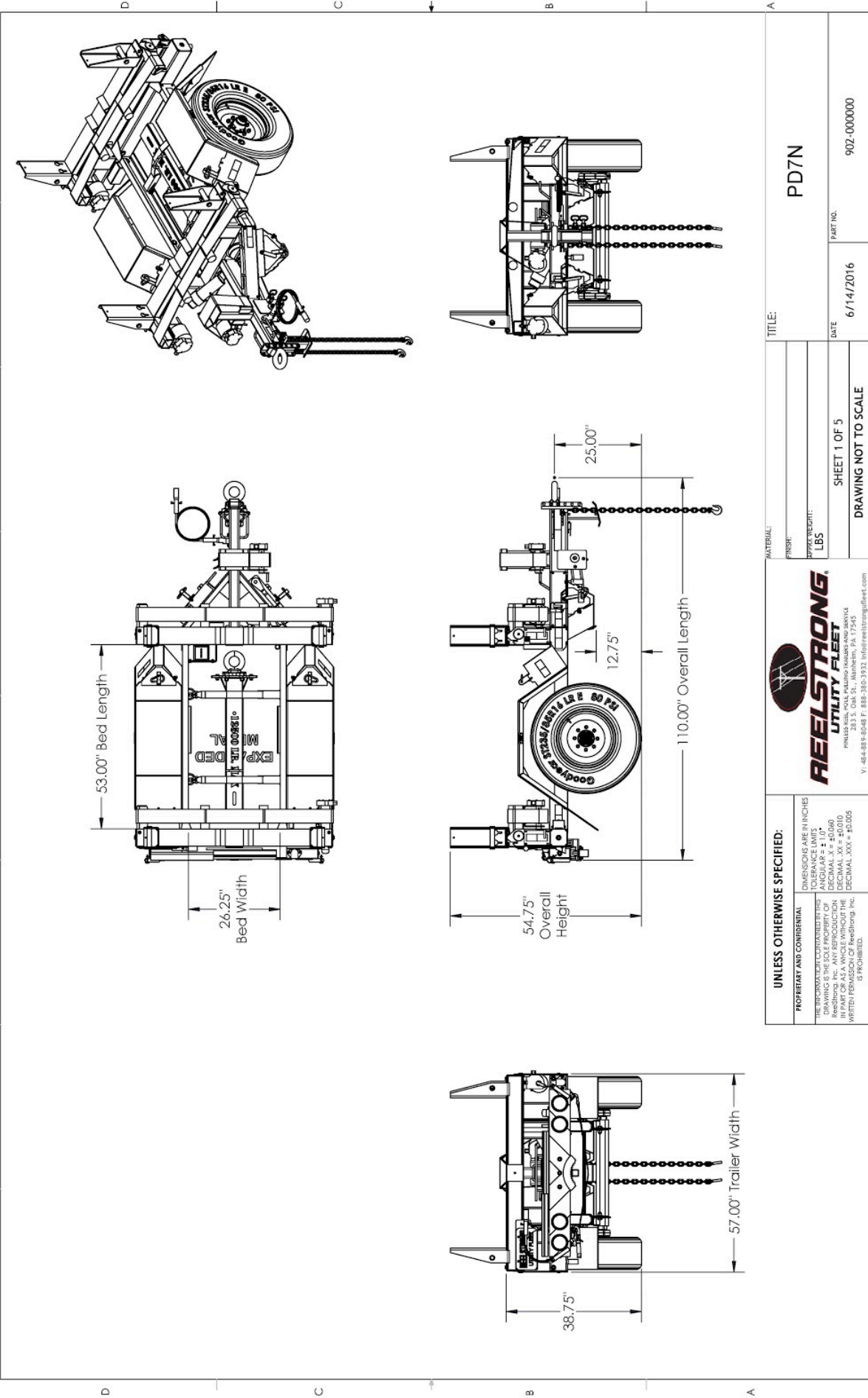


<p>UNLESS OTHERWISE SPECIFIED: <small>PROPRIETARY AND CONFIDENTIAL</small> THE INFORMATION CONTAINED IN THIS DRAWING IS THE SOLE PROPERTY OF REELSTRONG, INC. ANY REUSE OR REPRODUCTION IN PART OR AS A WHOLE WITHOUT THE WRITTEN PERMISSION OF ReelStrong, Inc. IS PROHIBITED.</p>		<p>TITLE: PD10</p>	
<p><small>DIMENSIONS ARE IN INCHES TOLERANCE LIMITS: DECIMAL .XX = ±0.010 DECIMAL .XXX = ±0.005</small></p>		<p>MATERIAL: FINISH: DIMENSIONS: LBS</p>	
<p>DATE: 6/14/2016</p>		<p>PART NO.: 900-000000</p>	
<p>SHEET 2 OF 4</p>		<p>DRAWING NOT TO SCALE</p>	
<p>REELSTRONG UTILITY FLEET <small>PHILADELPHIA, PA 19154 V. 484-889-8048 F. 888-380-3932 info@reelstrongfleet.com</small></p>			



TITLE: PD15	
PART NO. PD15-0000	
DATE 6/8/2020	
DRAWING NOT TO SCALE	
SHEET 1 OF 2	
MATERIAL: FINISH: WEIGHT: LBS	
 <p>REELSTRONG UTILITY FLEET PHILADELPHIA, PA 19104 283 S. Oak St., Warminster, PA 17245 V: 484-889-8048 F: 888-380-3932 info@reelstrongfleet.com</p>	
UNLESS OTHERWISE SPECIFIED: DIMENSIONS ARE IN INCHES TOLERANCE LIMITS: DECIMAL .125 DECIMAL .XX = ±0.010 DECIMAL .XXX = ±0.005 WRITTEN PERMISSION OF ReelStrong, Inc. IS PROHIBITED.	
PROPRIETARY AND CONFIDENTIAL THIS INFORMATION CONTAINED HEREIN IS THE SOLE PROPERTY OF REELSTRONG, INC. ANY REPRODUCTION OR DISSEMINATION OF THIS INFORMATION WITHOUT THE WRITTEN PERMISSION OF REELSTRONG, INC. IS PROHIBITED.	

1 2 3 4 5 6 7 8



UNLESS OTHERWISE SPECIFIED:		DIMENSIONS ARE IN INCHES	
TOLERANCE LIMITS		ANGULAR ± 1.0°	
DRAWING IS THE SOLE PROPERTY OF		DECIMAL XX ± 0.010	
Reelstrong, Inc. ANY REPRODUCTION		FRACTIONAL XX ± 0.015	
WITHOUT WRITTEN PERMISSION OF Reelstrong, Inc.		DECIMAL .XXX ± 0.005	
IS PROHIBITED.			
PROPERTY AND CONFIDENTIAL		THE INFORMATION CONTAINED HEREIN	
		DRAWING IS THE SOLE PROPERTY OF	
		Reelstrong, Inc. ANY REPRODUCTION	
		WITHOUT WRITTEN PERMISSION OF	
		Reelstrong, Inc. IS PROHIBITED.	
MATERIAL:		FINISH:	
LBS		LBS	
SHEET 1 OF 5		DRAWING NOT TO SCALE	
DATE: 6/14/2016		PART NO. 902-000000	
TITLE: PD7N			

REELSTRONG
UTILITY FLEET
PHN 484-898-8048 F 888-310-3932 info@reelstrongfleet.com