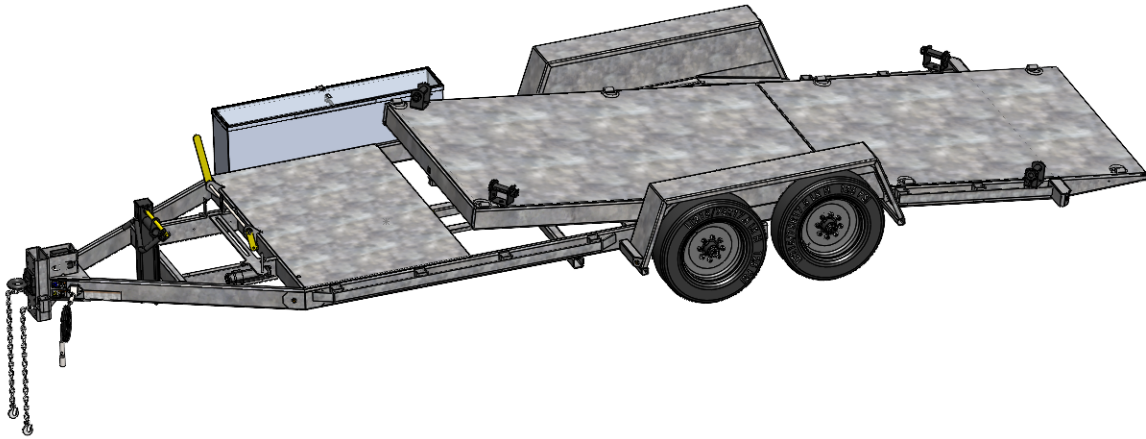


REELSTRONG®

UTILITY FLEET

TD16 Tilt-Deck Utility Trailer w/ Pinless, Auto Locking Powerlock™ III Deck Securement



LOWEST TOTAL COST OF OWNERSHIP (TCO) FROM:

- Pinless, Auto Locking Powerlock III™ Deck Securement w/ No Loose Pins or Difficult Latch Mechanisms
- Gravity Tilt for Low Maintenance
- Ultimate Ease-of-Use and Safety for the Operator w/ our Auto Locking Design
- **PRACTICAL:** No Expensive, Unnecessary Components, yet we Don't Cut Corners and Provide Premium, Heavy Duty Equipment.

BUILT FOR SAFETY. BUILT FOR SPEED. BUILT TO LAST.

CAPACITIES: 18,400 lbs. GVWR @ 15% Tongue Weight

AXLES: Tandem 8K Sprung Axles

WHEELS: (4) 17.5 x 6.75 HC / 8 on 6.5 BC

TIRES: (4) LT215/75R17.5 HC LR-H Tires

BRAKES: 12.25" x 3.38" Electric w/ Safety Breakaway Kit

PAYLOAD - ALL FINAL PAYLOADS BASED ON CHOSEN MODEL AND OPTIONS

PAYLOAD: 13,500 lbs. Approx.

ALL FINAL LENGTHS, WIDTHS, AND WEIGHTS ARE BASED ON CHOSEN MODEL AND OPTIONS

OVERALL LENGTH: 311.12" Approx.

WIDTH: 101.00" Approx.

CURB WEIGHT: 4,450 lbs. Approx.

STANDARD FEATURES

- Oil Bath Hubs (Greaseable Option All)
- Electric Brakes

STANDARD TRAILER BODY

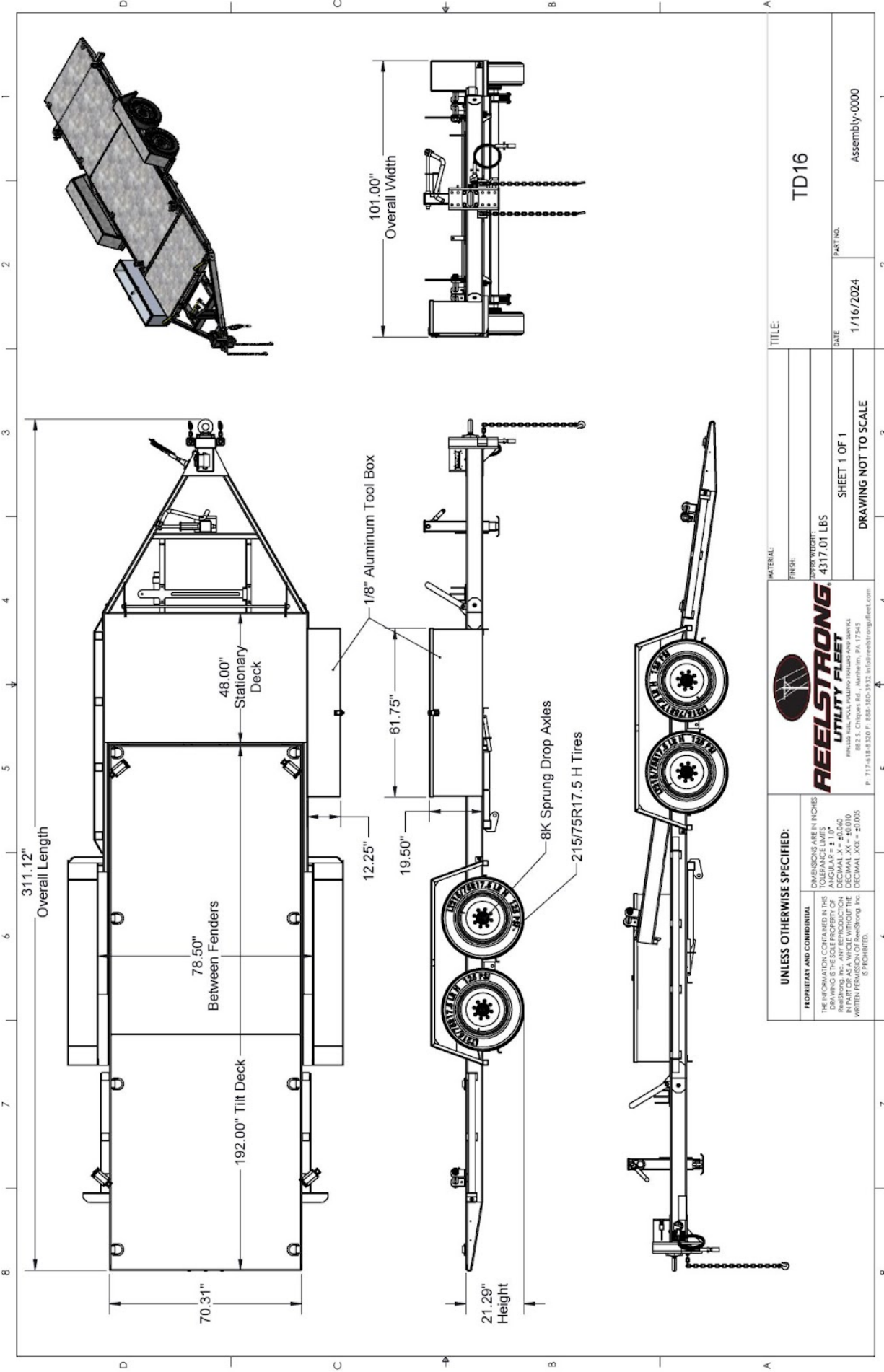
- Heavy Duty 6" X 2" X ¼" Frame
- 8-Position Adjustable Hitch
- ½" X 36" GR70 Yellow Zinc Safety Chains with Hooks
- 12,000 lbs. Static Front Jack w/ Spring Return
- Ground Lug: Copper Alloy Star Washer Bolted to Frame (Welded Optional)
- Fenders: ⅛" Fabricated Diamond Plate

WIRING

- DOT / ICC-- FMVSS / CMVSS Approved LED ULTRA- HIGH VISIBILITY 180 DEGREE BULLET Marker and Clearance Lights
- LED Sealed Beam Rubber Mounted Stop, Turn, Tail and Marker Lights
- Breakaway Kit with Absorbed Glass Mat (AGM) Battery
- 100% Sealed Heat-Shrunked Wiring Connections w/ Full Loom
- FULLY PROTECTED 7 or 6 Way Female Plug acts as Junction Box Recessed in FRAME RAIL. No Easily Damaged Plastic Junction Boxes

OPTIONS

- Ten (10) Year Galvanized Structural Warranty (2-Year Painted)



MATERIAL:		TITLE:	
FINISH:		TD16	
GROSS WEIGHT:		PART NO.:	
4317.01 LBS		Assembly-0000	
DATE:		DATE:	
1/16/2024		1/16/2024	
DRAWING NOT TO SCALE		SHEET 1 OF 1	

UNLESS OTHERWISE SPECIFIED:

PROPRIETARY AND CONFIDENTIAL
 THE INFORMATION CONTAINED IN THIS DRAWING IS THE SOLE PROPERTY OF REELSTRONG, INC. ANY REPRODUCTION IN PART OR AS A WHOLE WITHOUT THE WRITTEN PERMISSION OF REELSTRONG, INC. IS PROHIBITED.

REELSTRONG UTILITY FLEET
 17540 MILL HOLLOW ROAD, HUNTSVILLE, TN 37404
 P: 717-618-8320 F: 888-885-3333 info@reelstrongfleet.com

DIMENSIONS ARE IN INCHES
 ANGULAR ± 1.0°
 DECIMAL .X = ±0.060
 DECIMAL .XX = ±0.010
 DECIMAL .XXX = ±0.005