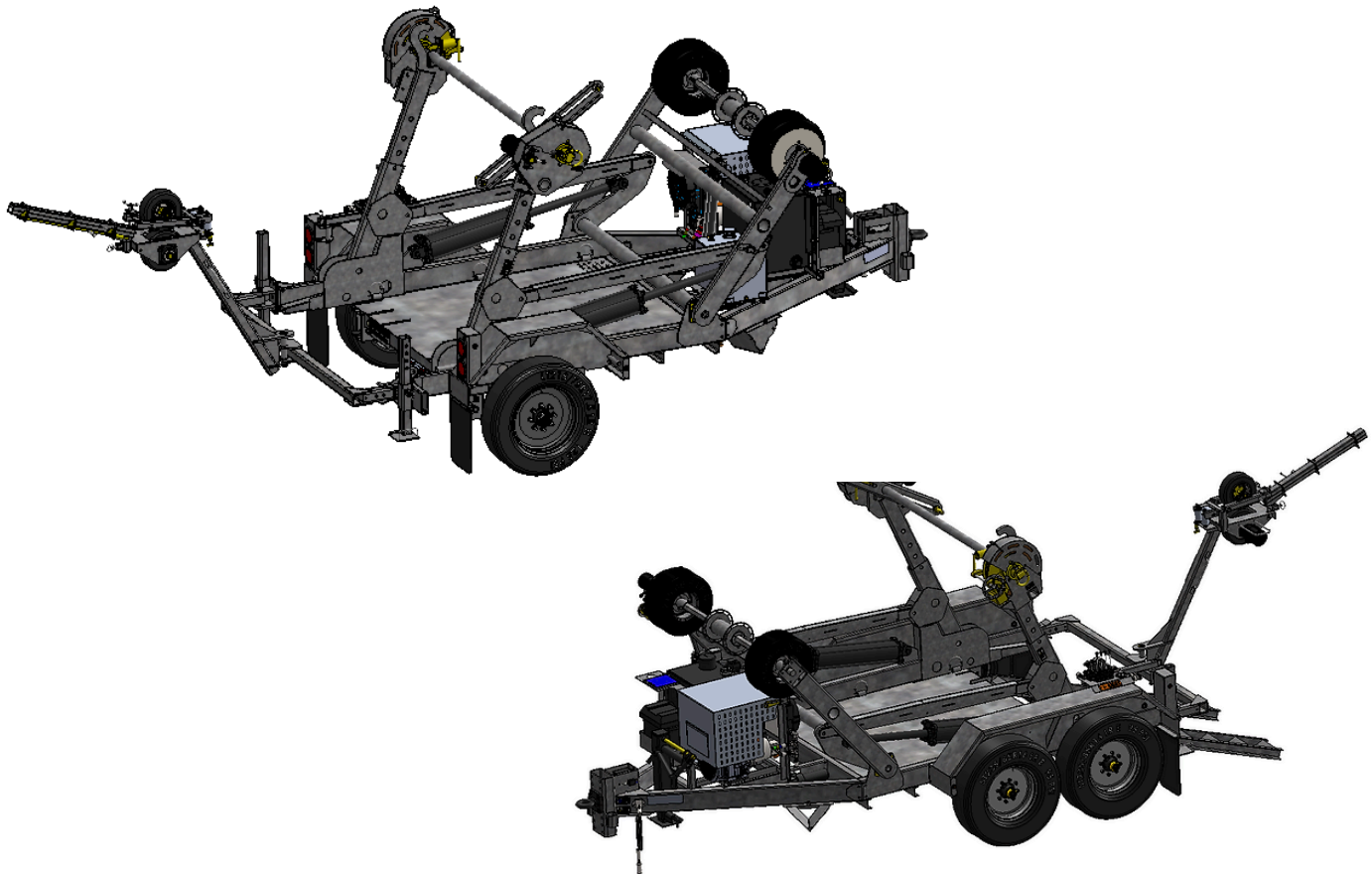


# **REELSTRONG**<sup>®</sup>

## **UTILITY FLEET**

### **ALIO PINLESS POWERLOCK™ ALL-IN-ONE TRAILER SPECS**



#### **LOWEST TOTAL COST OF OWNERSHIP (TCO) From:**

- **LIFETIME WARRANTY PINLESS POWERLOCK™** Reel Bar Securement
- No Pins or Cotters to Secure Reel Bar (*most critical safety point*).
- Fastest, Safest Loading, Unloading and Deployment Reduces Labor .
- Yellow Zinc Electro-Plated and Stainless Precision Machined Components
- **PRACTICAL:** No Expensive, Unnecessary Bronze Components, yet we Don't Cut Corners and Provide Premium, Heavy Duty, Top-Quality Latches, Hardware, Fittings and Components.

**BUILT FOR SAFETY. BUILT FOR SPEED. BUILT TO LAST.**

**CAPACITIES:**

- ALIO-6: 13,800 lbs. GVWR @ 15% Tongue Weight
- ALIO-9: 11,500 lbs. GVWR @ 15% Tongue Weight

**AXLES:**

- ALIO-6: Single 10K lbs. Sprung
- ALIO-9: Tandem 6K lbs. Torsion

**WHEELS:**

- ALIO-6: (2) 17.5 x 6.75 HC / 8 on 6.5 BC w/ 0.19 Inset
- ALIO-9: (4) 16 x 6K / 8 on 6.5 BC w/ Zeroset

**TIRES:**

- ALIO-6: (2) 215/75R17.5 LR-H Tires
- ALIO-9: (4) ST235/80R16 LR-E Tires

**BRAKES:**

- ALIO-6: 12.25" x 3.38" Electric w/ Safety Breakaway Kit
- ALIO-9: 12" x 2" Electric w/ Safety Breakaway Kit

**REEL WEIGHT (PAYLOAD):**

- ALIO-6: 6,000 lbs. Approx.
- ALIO-9: 9,000 lbs. Approx.

**PAYLOAD: ALL FINAL PAYLOADS BASED ON CHOSEN MODEL AND OPTIONS**

**REEL DIAMETER:** Positions for 84", 96", 108", and 120"

**REEL WIDTH:** 60" Max

**REEL SHAFT DIAMETER:** 2.50"

**OVERALL LENGTH:**

- ALIO-6: 170.25"
- ALIO-9: 177.00"

**OVERALL WIDTH:**

- ALIO-6: 99"
- ALIO-9: 98"

## OVERALL WEIGHT:

- ALIO-6: 4,400 lbs. Approx.
- ALIO-9: 4,700 lbs. Approx.

*Actual Trailer Weight will Vary with Options & Finishes Chosen.*

## STANDARD FEATURES

- **LIFETIME WARRANTY PINLESS AUTOLOCK™**
- Oil Bath Hubs (Greaseable Option All)
- Electric Brakes
- Wheel Chock Holders
- Dexter Axles
- OPEN TOP, "NON ENCAPSULATED" NYLATRON BEARING SADDLE (low-coefficient of friction). OPEN TOP = LESS FRICTION/LOW MAINTENANCE and EASIER PAY-OUT. (Haven't Replaced a Saddle due to Wear in 13 Years)
- Wheel Chock Holders
- 6D-Rings Front, Center and Rear for Cargo / Transformers (CLD14)
- 20 HP HONDA Electric Start Engine Hydraulic Power Pack Comes STANDARD w/ ENGINE COVER, 25 Gallon Reservoir, Replaceable Oil Filter, Pressure Gauge and Solar Fade Resistant Plastic Control Placard.
- Two-Wheel Rim-Drive Take-up Retriever w/ 15" Overspin Brake, and Hex Drive Winch

## STANDARD TRAILER BODY

- 6" X 3" X ¼" Frame
- 6-Position Adjustable Hitch
- ¾" X 36" GR70 Yellow Zinc Safety Chains with Hooks
- Standard Cargo Area
- 12,000 lbs. Static Front Jack w/ Spring Return
- Ground Lug: Copper Alloy Star Washer Bolted to Frame (Welded Optional)
- Fenders: ⅛" Fabricated Diamond Plate
- Quick Deploy Outriggers (no loose pins)
- DOT Reflective Conspicuity Tape

## LIGHTS/WIRING

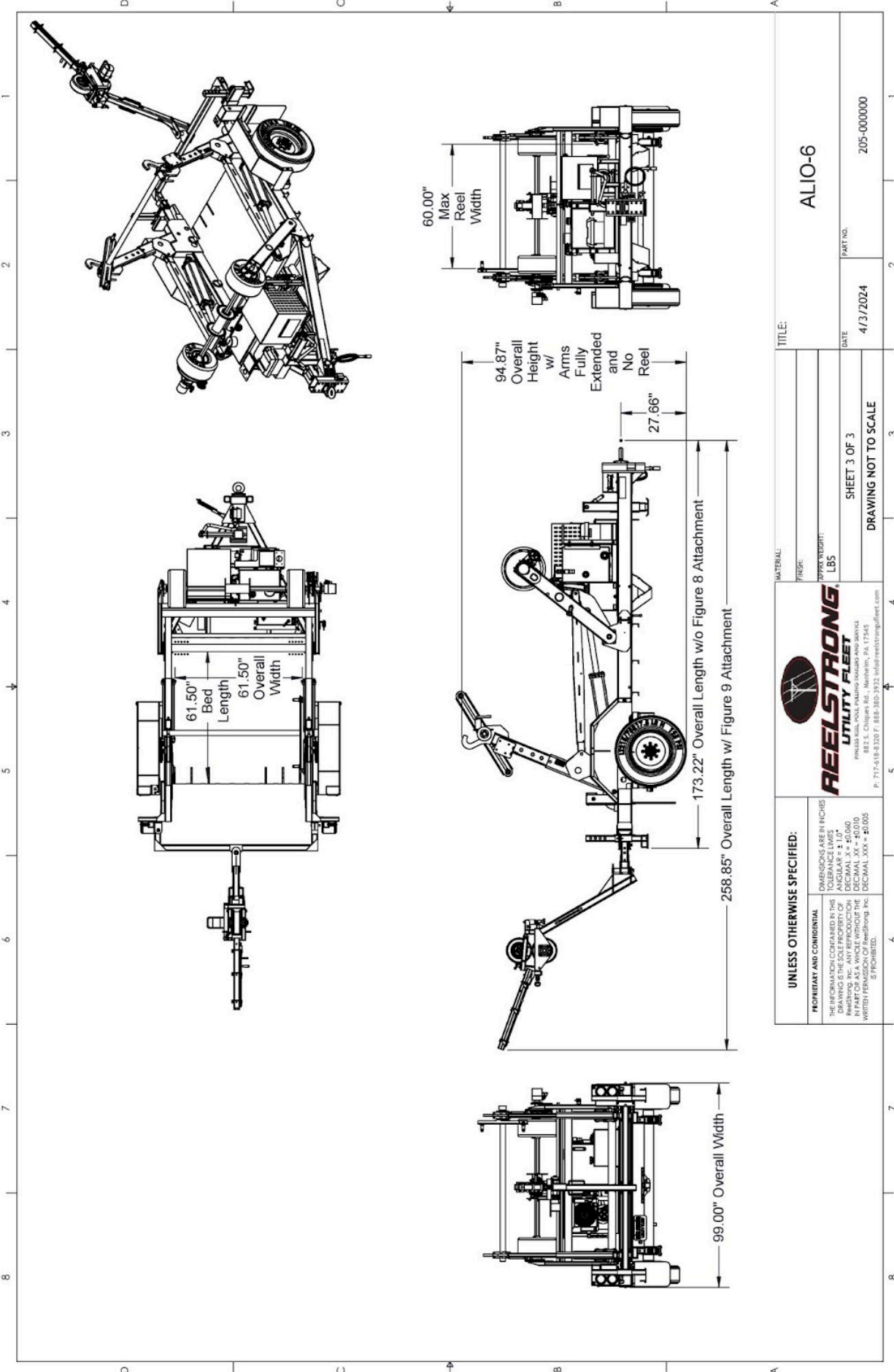
- DOT / ICC-- FMVSS / CMVSS Approved LED ULTRA- HIGH VISIBILITY 180 DEGREE BULLET Marker and Clearance Lights
- LED Sealed Beam Rubber Mounted Stop, Turn, Tail and Marker Lights
- 100% Sealed Heat-Shrunked Wiring Connections w/ Full Loom
- Breakaway Kit with Absorbed Glass Mat (AGM) Battery
- FULLY PROTECTED 7 or 6 Way Female Plug acts as Junction Box Recessed in FRAME RAIL. No Easily Damaged Plastic Junction Boxes!

## PAINT

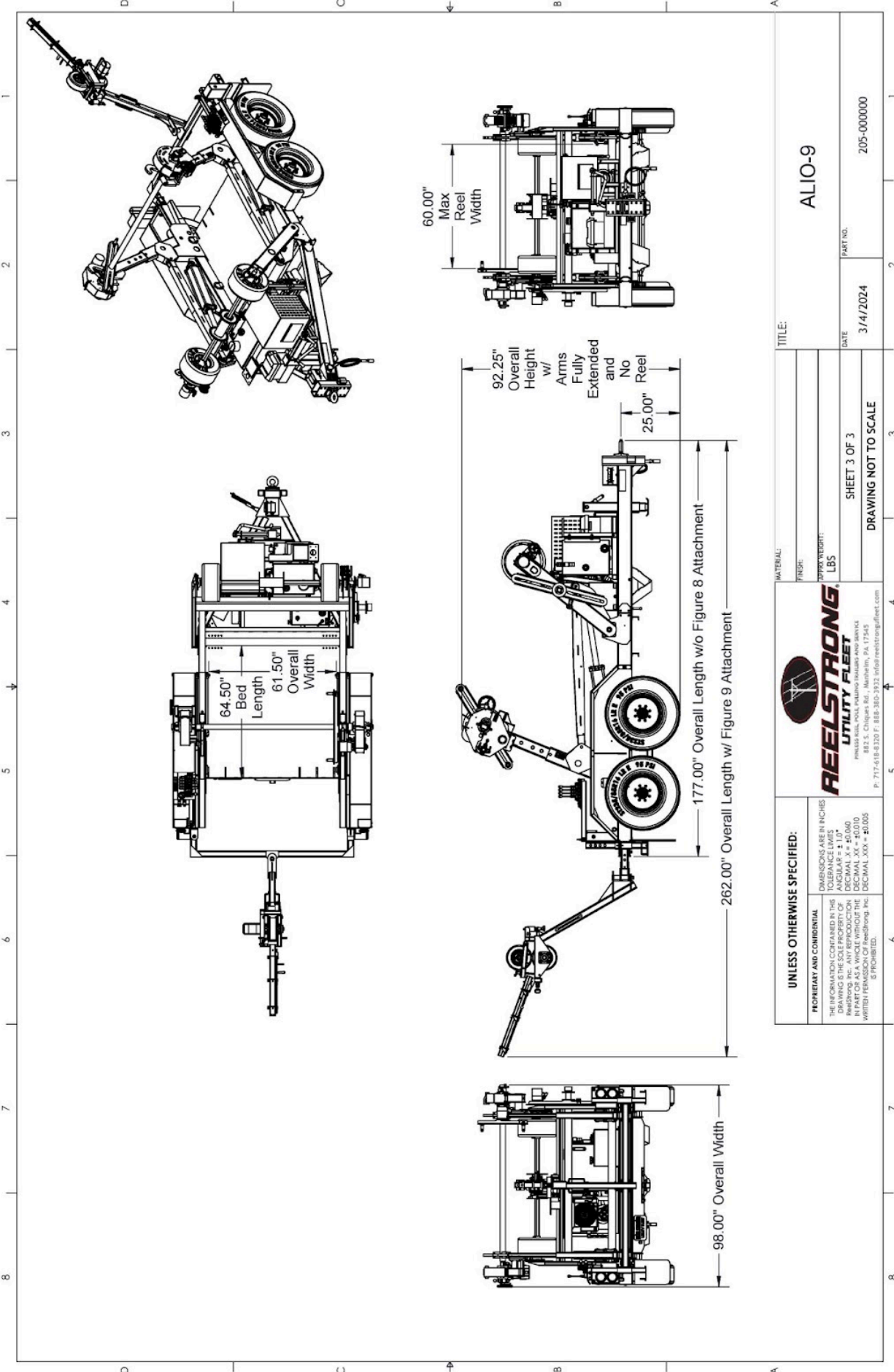
- Intense Metal pH Acid Surface Prep  
(Superior to sandblasting that can infuse metal w/ oil)
- Seams Caulked
- Rust Preventative 2-Part Epoxy Primer
- Two-Part Polyurethane Topcoats (2 topcoats)
- Standard Colors: White and CAT Yellow (Custom Available)

## OPTIONS

- Ten (10) Year Galvanized Structural Warranty (2-Year Painted)
- 16" Bronze Alloy TRU-STOP Ventilated Reel Brake
- 3,300 ft/lbs Torque Hydraulic Take-up Retriever. (Motor Spooled w/ Reel Brake ILO Cross-Over Relief Valve for Smooth Instant Reel Stoppage)
- 2-7/16" Universal Adapter for Capstan, Collapsible Reel or Slip-Clutch Fiber-Optic Reels
- 7 Inch General Purpose Capstan
- Collapsible Power Reel
- Slip-Clutch Fiber-Optic Pulling Capstan
- Fiber-Optic Figure 8 Attachment
- Cable Rewind Leveler
- Rotating Arbor Ground
- Dumpster
- Utility Ramps
- Aluminum or Stainless Toolbox
- Air Brakes w/ ABS
- 16" Long 6-Bolt Hitch Extension (w/ 52" Safety Chains and Breakaway Cable Extension)
- 3" Lunette Eye
- Wiring Connections Soldered and Sealed w/ Heat Shrink Tubing
- Plug-and-Play Sealco Wiring Harness
- **Wheel Chocks:** Rubber or All Weather Galvanized Grip Strut
- Spare Tire and Mount
- Solar Charged Breakaway Kit
- 12" Caster Wheel for Tongue Jack
- Strobe Warning Lights
- All Stainless Steel Fasteners (1/2" and under)
- Auxiliary Hydraulic Quick-Connect Ports
- Various Trailer Light Plugs (Customer Choice)
- Custom Paint
- Custom Specification
- Truck-Lite Lighting
- Lug Nut Indicators



<b>UNLESS OTHERWISE SPECIFIED:</b> DIMENSIONS ARE IN INCHES TOLERANCES UNLESS OTHERWISE SPECIFIED: DRAWING IS THE SOLE PROPERTY OF REELSTRONG INC. ANY REPRODUCTION WITHOUT WRITTEN PERMISSION OF REELSTRONG INC. IS PROHIBITED.		<b>REELSTRONG</b> UTILITY FLANGE 883 S. Co. Rd. Middleboro, MA 01745 P: 717-418-8320 F: 889-380-3932 info@reelstrong.com	
<b>TITLE:</b> ALIO-6		<b>DATE:</b> 4/3/2024	
<b>MATERIAL:</b>		<b>FINISH:</b>	
<b>OPER. WEIGHT:</b> LBS		<b>SHEET 3 OF 3</b>	
<b>DRAWING NOT TO SCALE</b>		<b>PART NO.</b> 205-000000	



<b>UNLESS OTHERWISE SPECIFIED:</b> DIMENSIONS ARE IN INCHES TOLERANCES UNLESS OTHERWISE SPECIFIED: DRAWING IS THE SOLE PROPERTY OF REELSTRONG, INC. ANY REPRODUCTION OR TRANSMISSION OF THIS DRAWING WITHOUT WRITTEN PERMISSION OF REELSTRONG, INC. IS PROHIBITED.		<b>REELSTRONG</b> UTILITY FLEET 883 S. Co. Rd. 1400, Houston, TX 77045 P: 717-418-8320 F: 889-392-3932 info@reelstrongfleet.com	
<b>PROPRIETARY AND CONFIDENTIAL</b> THE INFORMATION CONTAINED IN THIS DRAWING IS THE SOLE PROPERTY OF REELSTRONG, INC. ANY REPRODUCTION OR TRANSMISSION OF THIS DRAWING WITHOUT WRITTEN PERMISSION OF REELSTRONG, INC. IS PROHIBITED.		TITLE: <b>ALIO-9</b> PART NO. 205-000000 DATE: 3/4/2024	
MATERIAL: _____ FINISH: _____ SPRAY WEIGHT: LBS		SHEET 3 OF 3 DRAWING NOT TO SCALE	