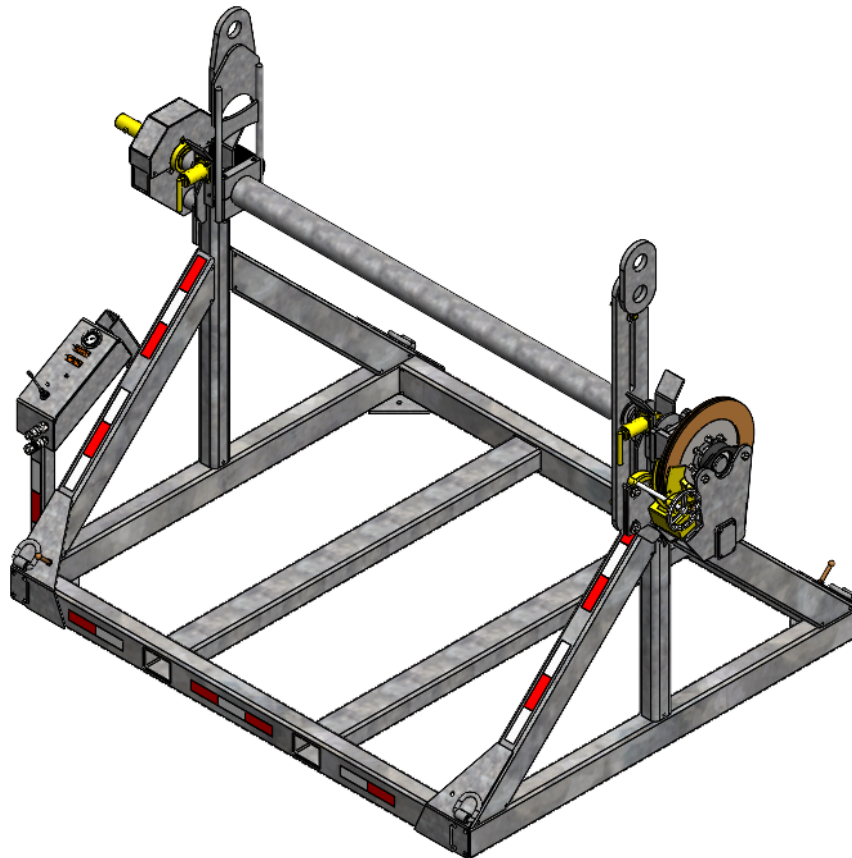


REELSTRONG®

UTILITY FLEET

RS30 POWERLOCK™ REEL STAND SPECS



EXCLUSIVE STANDARD ADDED VALUE:

- POWERLOCK™ Technology Provides Industry Leading Safety, Ease of Use, Low Maintenance and Durability.
 - SAFETY and Peace of Mind
 - No Pins, Cotters, or Lanyards that Secure the Reel Arbor (which is the most critical safety point).
 - Faster Reel loading, Unloading, and Deployment Reduces Labor Costs and Fatigue on Workers.
- No Tools Required to Replace Reels

BUILT FOR SAFETY. BUILT FOR SPEED. BUILT TO LAST.

MAX REEL CAPACITY (customizable)

- Diameter: 108"
- Width: 85"
- Weight: 30,000 lbs.

ARBOR BAR: 5.00" w/ Lift & Lock Collars (Optional Reel Adapters Available for Larger Arbor Holes)

DIMENSIONS (customizable)

- Length: 87.25"
- Width: 108.25"
- Height: 69.00" w/o Reel
- Weight: 2,000 lbs.

Actual Length, Width, Height, and Weight will Vary with Options & Finishes Chosen.

STANDARD FEATURES

- POWERLOCK™ Technology Provides Industry Leading Safety, Ease of Use, Low Maintenance and Durability.
- Arbor Assembly Lifts Out of Brake Dog w/o Side-Shifting the Arbor to Disengage
- No Tools Required to Replace Reels
- Ground Lug: Copper Alloy Bolted to Frame

CONSTRUCTION

- Reinforced Truss on Rectangular Base Frame
- Steel Tube Frame Continuously Welded
- D-Rings Located on Each Corner for Tie Down

PAINT

- Biodegradable Pretreat Acid Cleaning
(Superior to re-used sandblasting material that can impregnate metals with oil)
- Rust Preventative 2-Part Epoxy Primer
- Standard Colors: Red, Black, White and CAT Yellow

OPTIONS

- 13 HP HONDA Engine Hydraulic Power Pack Comes STANDARD w/ ENGINE COVER, 15 Gallon Reservoir, Replaceable Oil Filter, Pressure Gauge and Solar Fade Resistant Plastic Control Placard. (Electric Start Optional)
- 10-Year Galvanized Structural Warranty (2-Year Painted)
- 20" Bronze Alloy Ventilated Reel Brake
- 3,300 ft/lbs Torque Hydraulic Take-up Retriever. (Motor Spooled w/ Reel Brake ILO Cross-Over Relief Valve for Smooth Instant Reel Stoppage)
- 2-7/16" Universal Adapter for Capstan and Power Reel Attachments
- 7 Inch General Purpose Capstan

OPTIONS (cont.)

- Collapsible Power Reel
- Reel Adapters Available for Larger Reel Arbor Holes
- Aluminum or Steel Toolbox
- Wiring Connections Soldered and Sealed w/ Heat Shrink Tubing
- Strobe Warning Lights
- All Stainless Steel Fasteners (½” and under)

