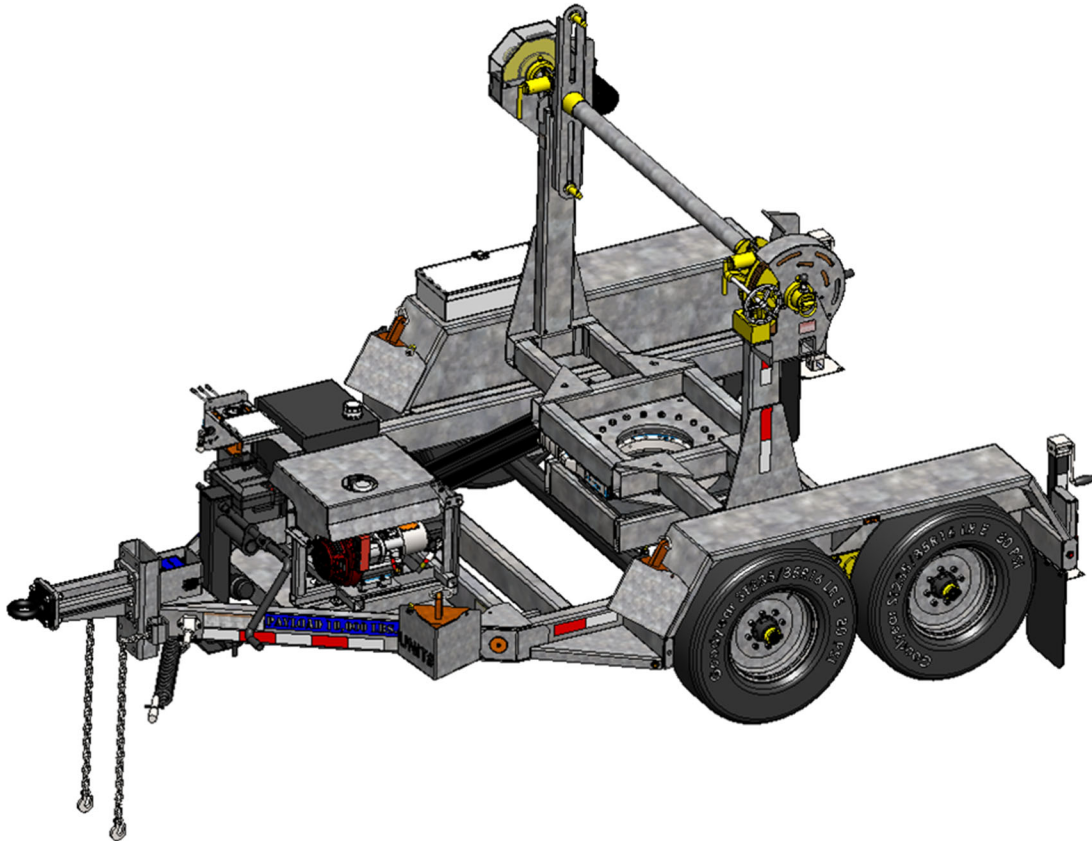


# **REELSTRONG<sup>®</sup>**

## **UTILITY FLEET**

### **PLT-SL POWERLOCK™ REEL TRAILER SPECS**



#### **EXCLUSIVE STANDARD ADDED VALUE:**

- POWERLOCK™ Technology Provides Industry Leading Safety, Ease of Use, Low Maintenance and Durability.
  - Safety and Peace of Mind
  - No Pins, Cotters, or Lanyards that Secure the Reel Arbor (which is the most critical safety point).
  - Faster Reel Loading, Unloading, and Deployment Reduces Labor Costs and Fatigue on Workers.

**BUILT FOR SAFETY. BUILT FOR SPEED. BUILT TO LAST.**

**CAPACITIES:** 16,100 lbs. GVWR @ 15% Tongue Weight

**AXLES:** Tandem 7K lbs. Torsion

**WHEELS:** (4) 16 x 6K / 8 on 6.5 BC w/ Zeroset

**TIRES:** (4) ST-235/85R16 LR-E Tires

**BRAKES:** 12.25" x 2.00" Electric w/ Safety Breakaway Kit

**PAYLOAD: ALL FINAL PAYLOADS BASED ON CHOSEN MODEL AND OPTIONS**

**REEL WEIGHT (PAYLOAD):** 10,000 lbs. Approx.

**REEL DIAMETER:** 84" Maximum (custom sizes possible)

**REEL WIDTH:** 60" Maximum

**REEL SHAFT DIAMETER:** 3.00" OD, 2.00" ID Reel Drive Bar w/ Centering Collars

**OVERALL LENGTH:** 166.50" Overall Length

**OVERALL WIDTH:** 101.50"

**OVERALL WEIGHT:** 4,350 lbs. Approx. (Actual Trailer Weight will Vary with Options & Finishes Chosen)

#### **STANDARD FEATURES**

- **PINLESS POWERLOCK™** **LIFETIME WARRANTY** **VIRTUALLY ZERO MAINTENANCE** Yellow Zinc Electroplated
- **INDUSTRY LEADING 20" OVERSIZED TURRET BEARING w/ HYDRAULIC WORM GEAR**
- **250K Axial, 90K ft/lbs Moment Load**
- **OPEN TOP, "NON ENCAPSULATED" NYLATRON BEARING SADDLE** (low-coefficient of friction). OPEN TOP = LESS FRICTION/LOW MAINTENANCE and EASIER PAY-OUT. (Haven't Replaced a Saddle in 13 Years)
- **POWERLOCK™** Technology Provides Industry Leading Safety, Ease of Use, Low Maintenance and Durability.
- Oil Bath Hubs (Greaseable Option All)
- Electric Brakes
- Wheel Chock Holders
- Removable Turrets to Turn Trailer into Flatbed, if Needed.

#### **STANDARD TRAILER BODY**

- Heavy Duty 6" X 3" X 1/4" Frame

—All specifications / designs are subject to change without notice - All GVWR and reel capacities are de-rateable to your needs.

## **STANDARD TRAILER BODY (cont.)**

- 6-Position Adjustable Hitch
- 3/8" X 36" GR70 Yellow Zinc Safety Chains with Hooks
- 12,000 lbs. Static Front Jack w/ Spring Return
- (2) Two 8,000 lbs. Rear Stabilizer Jacks
- Ground Lug: Copper Alloy Bolted to Frame
- Fenders: 1/8" Plate
- Spring Plunger Accessory Engagement

## **WIRING**

- DOT / ICC Approved LED Lights and Conspicuity Reflective Tape
- FMVSS / CMVSS Standard 108 LED Lighting
- Sealed Beam, Rubber Mounted Stop, Turn, Tail and Marker Lights
- 100% Sealed Heat-Shrunked Wiring Connections w/ Full Loom
- Breakaway Kit with Absorbed Glass Mat (AGM) Battery

## **PAINT**

- Biodegradable Pretreat Acid Cleaning (Superior to re-used sandblasting material that can impregnate metals with oil)
- Seams Caulked
- Rust Preventative 2-Part Epoxy Primer
- Standard Colors: Red, Black, White and CAT Yellow

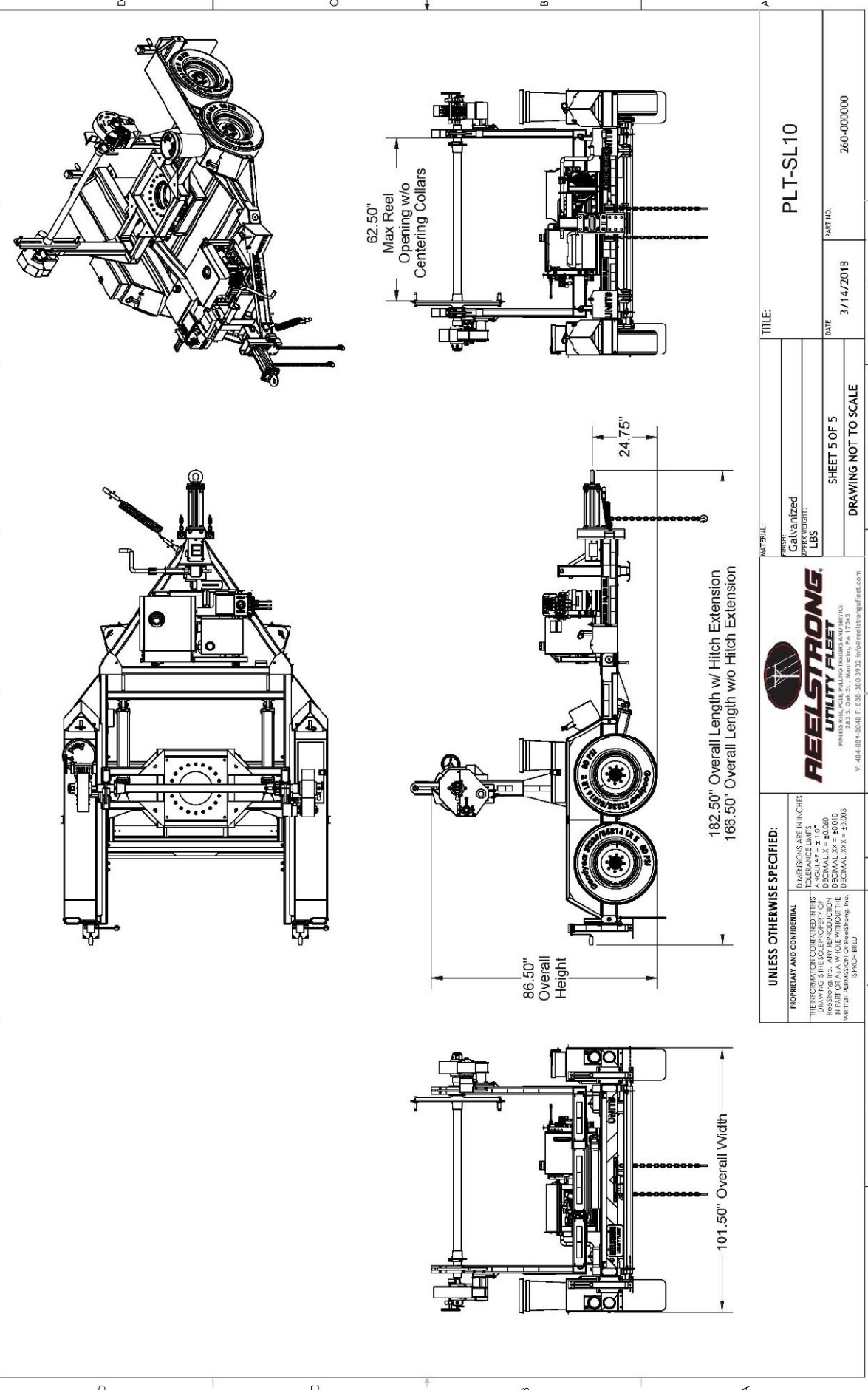
## **OPTIONS**

- 13 HP HONDA Engine Hydraulic Power Pack Comes STANDARD w/ ENGINE COVER, 15 Gallon Reservoir, Replaceable Oil Filter, Pressure Gauge and Solar Fade Resistant Plastic Control Placard. (Electric Start Optional)
- 10-Year Galvanized Structural Warranty (2-Year Painted)
- 3,300 ft/lbs Torque Hydraulic Take-up Retriever. (Motor Spooled w/ Reel Brake ILO Cross-Over Relief Valve for Smooth Instant Reel Stoppage)
- 2-7/16" Universal Adapter for Capstan and Power Reel Attachments
- Hydraulic Hose Rotary Swivel Union (*manages & eliminates loose hydraulic hoses*)
- 7 Inch General Purpose Capstan
- Collapsible Power Reel
- Rotating Arbor Ground
- Rewind Leveler
- 16" Bronze Alloy Ventilated Reel Brake w/ Ventilated Guard
- Aluminum or Steel Toolbox
- Anti-Lock Brakes (ABS)
- 16" Long 6-Bolt Hitch Extension (w/ 52" Safety Chains and Breakaway Cable Extension)
- 3" Lunette Eye
- Wheel Chocks: Rubber or All Weather Galvanized Grip Strut
- Spare Tire and Mount
- Wiring Connections Soldered and Sealed w/ Heat Shrink Tubing

**OPTIONS (cont.)**

- Plug-and-Play Sealco Wiring Harness
- Solar Charged Breakaway Kit
- 12" Caster Wheel for Tongue Jack
- Strobe Warning Lights
- All Stainless Steel Fasteners (½" and under)
- Hydraulic Front Jack
- Truck-Lite Lighting
- Lug Nut Indicators

8 7 6 5 4 3 2 1



<b>UNLESS OTHERWISE SPECIFIED:</b> <small>DIMENSIONS ARE IN INCHES          DECIMALS TO THE TENTH          FRACTIONS TO THE SIXTEENTH          DECIMAL XX = ±0.0010          DECIMAL XXX = ±0.0005          UNLESS OTHERWISE SPECIFIED          UNLESS OTHERWISE SPECIFIED</small>		<b>REELSTRONG</b> <b>UTILITY FLEET</b> <small>PHILADELPHIA, PA. 19154          283 S. Oak St., Maricopa, PA 17243          P. 484-881-8048 F. 888-380-3932 info@reelstrong.com</small>	
<b>PROPRIETARY AND CONFIDENTIAL</b>		<b>TITLE:</b> PLT-SL10	
<small>THIS DRAWING OR CONTAINED HEREIN IS THE SOLE PROPERTY OF REELSTRONG, INC. IN PART OR AS A WHOLE WITHOUT THE WRITTEN PERMISSION OF REELSTRONG, INC. IS PROHIBITED.</small>		<b>MATERIAL:</b> Galvanized APPROX WEIGHT: LBS	
SHEET 5 OF 5 DRAWING NOT TO SCALE		<b>DATE:</b> 3/14/2018 <b>PART NO.:</b> 260-000000	